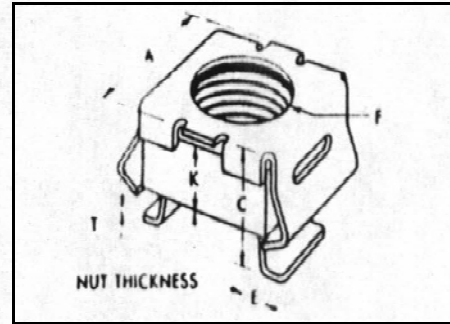
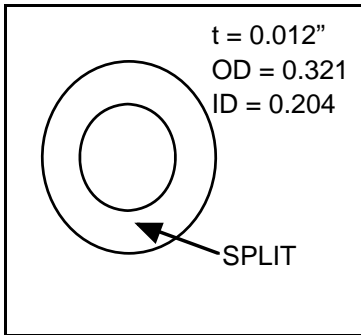


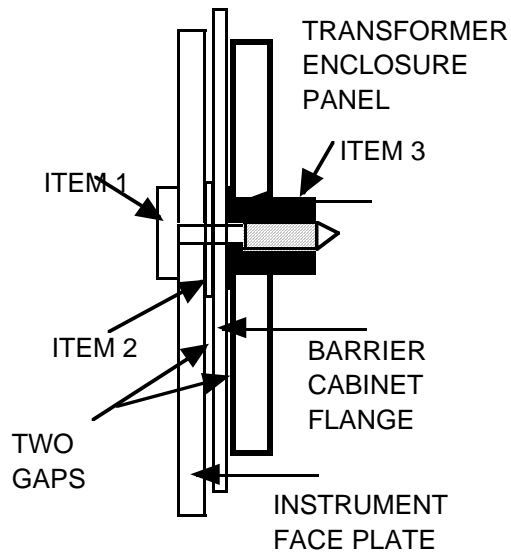
ITEM 1
CAPTIVE PANEL
SCREW
RAF ELECTRONIC
HARDWARE
PART NO. 207



ITEM 3
TINNERMAN NUT
PART NO. C7998-1420
WITH 1/4-20 THREADS
FITS INTO
0.375 SQUARE HOLE



ITEM 2
SCREW RETAINER
WASHER
RAF ELECTRONIC
HARDWARE
PART NO. 1063



TYPICAL CROSS SECTION

NOTE TWO GAPS
ONE FOR ITEM 2 AND
ONE FOR ITEM 3

HARDWARE
FOR BARRIER CABINET
AUG. 15, 1995
DRAWING 8-15-95-A
SCALE - NTS

CIMCO ELECTRONICS, INC.
26 MAIN ST. -- P. O. BOX 248
WEST MIDDLESEX, PA 16159
PHONE 724-528-9559
FAX 724-528-1108